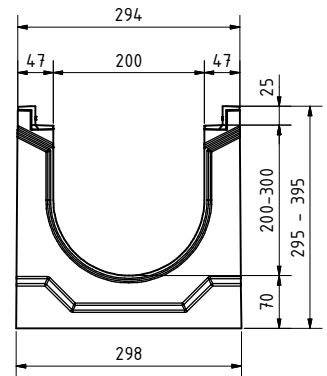
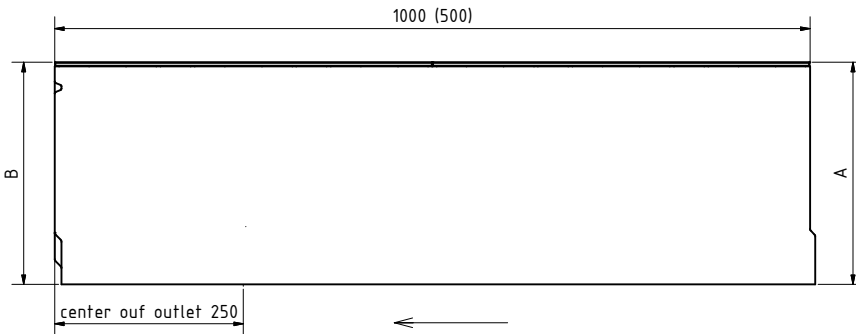




1. Rinne / Channel:

BGZ-S SV G

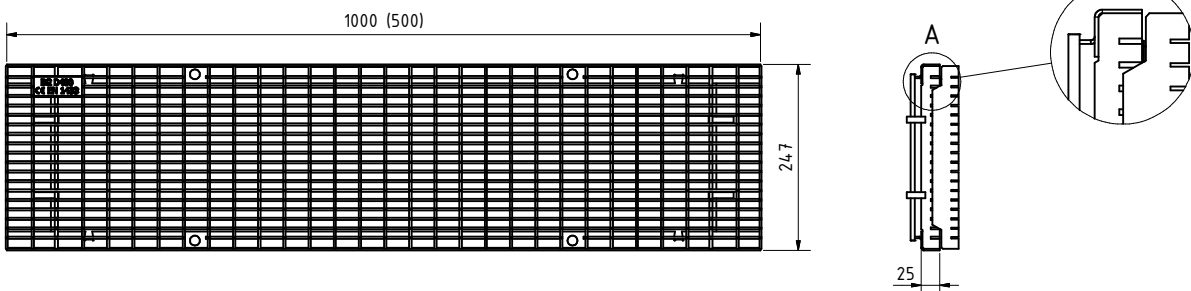


| Rinne / channel - Maße / dimensions | | | | |
|-------------------------------------|--------------------|--------------------|-----------------|-----------|
| Typ | Höhe A height A | Höhe B height B | Länge length | BG code G |
| 0 | 295 | 295 | 1000 | 16700 |
| 0 (0,5m) | 295 | 295 | 500 | 16716 |
| 1 | 295 | 300 | 1000 | 16706 |
| 2 | 300 | 305 | 1000 | 16707 |
| 3 | 305 | 310 | 1000 | 16708 |
| 4 | 310 | 315 | 1000 | 16709 |
| 5 | 315 | 320 | 1000 | 16710 |
| 5-0 | 320 | 320 | 1000 | 16701 |
| 6 | 320 | 325 | 1000 | 16711 |
| 7 | 325 | 330 | 1000 | 16712 |
| 8 | 330 | 335 | 1000 | 16713 |
| 9 | 335 | 340 | 1000 | 16714 |
| 10 | 340 | 345 | 1000 | 16715 |
| 10-0 | 345 | 345 | 1000 | 16702 |
| 11 | 345 | 350 | 1000 | 16730 |
| 12 | 350 | 355 | 1000 | 16731 |
| 13 | 355 | 360 | 1000 | 16732 |
| 14 | 360 | 365 | 1000 | 16733 |
| 15 | 365 | 370 | 1000 | 16734 |
| 15-0 | 370 | 370 | 1000 | 16726 |
| 16 | 370 | 375 | 1000 | 16735 |
| 17 | 375 | 380 | 1000 | 16736 |
| 18 | 380 | 385 | 1000 | 16737 |
| 19 | 385 | 390 | 1000 | 16738 |
| 20 | 390 | 395 | 1000 | 16739 |
| 20-0 | 395 | 395 | 1000 | 16727 |

| Legende / explanation: | |
|------------------------|-------------------------------------|
| V: | verzinkter Stahl / galvanized steel |
| G: | Gußeisen-Zarge / cast iron edge |
| GJS: | Gußeisen / ductil iron |

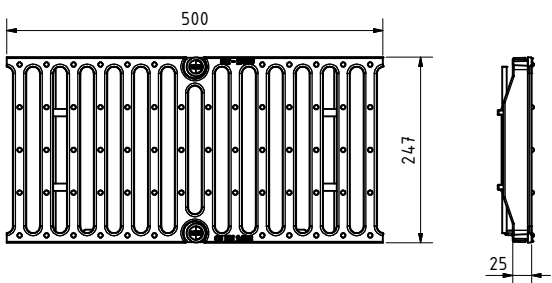
2. Gitterrost / Mesh grating:

D400kN MW30/10: V 23270 (23271)

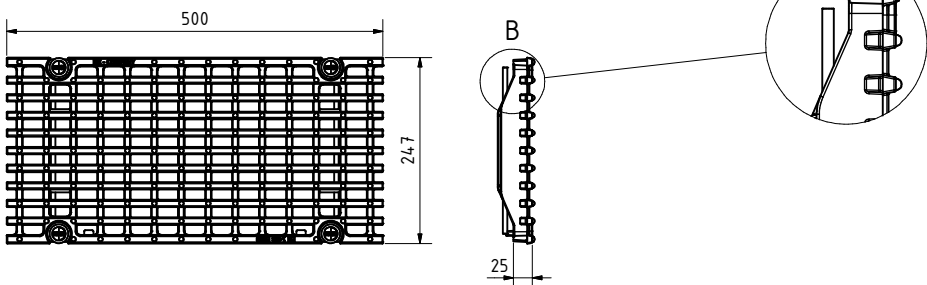


2. Gußrost / Ductile iron grating:

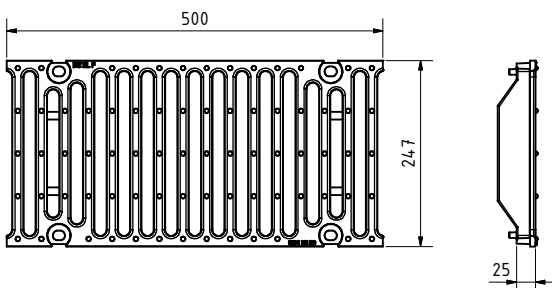
D400kN SW18/220: GJS 22079



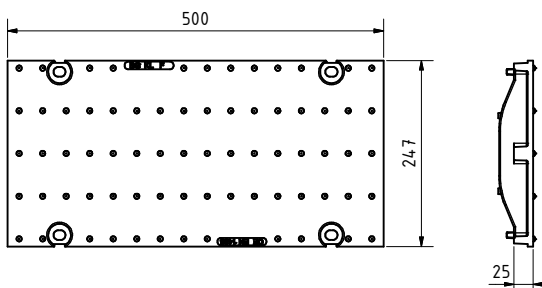
**E600kN MW27/13: (mit SV / with SV: GJS 22774
oder Verschraubungsmaterial / or bolting material: GJS 22775)**



F900kN SW16/220: GJS 22073



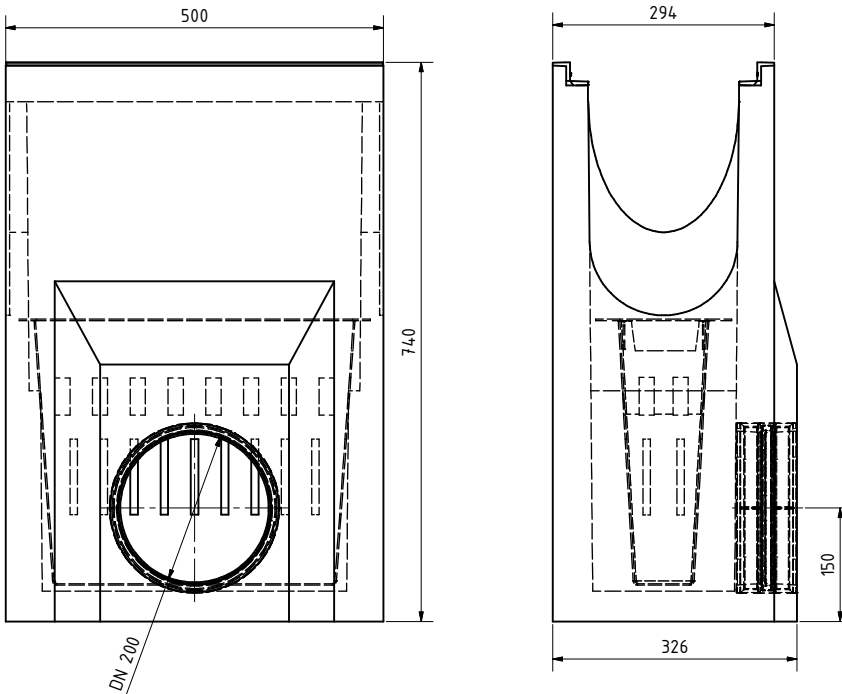
F900kN: GJS 22078





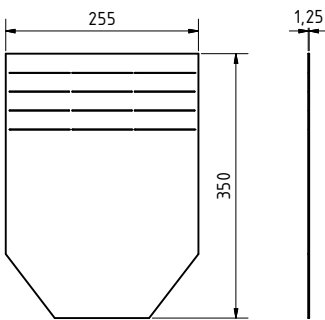
3. Sinkkasten / Sump unit:
(optional: Schlammeimer / Silt bucket: 22512)

G 22204

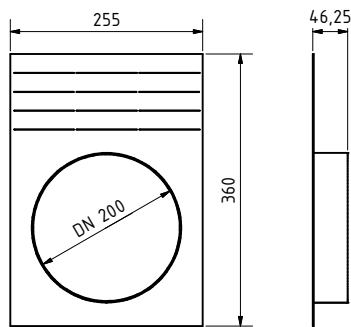


4. Stirn-/ Endplatte
/ End cap:

V 22240

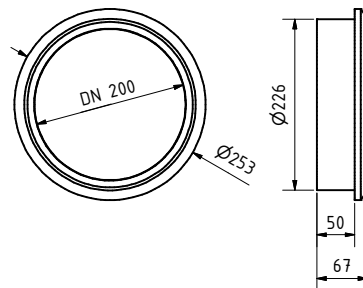


V 22241



5. Forsheda-Dichtung
/ forsheda sealing DN200:

31312



6. Verschraubungsmaterial / Bolting material

Gitterrost / Mesh grating:
V 22280



Gußrost / Ductil iron grating:
V 22281

